

IT-ES608-IM-4F

4 + 4 ports 10/100M Managed Industrial Ethernet Switch

Features

1. Support 4 RJ45 Ethernet ports and 4 Fiber ports.
2. SW-Ring™ (recovery time < 20 ms at full load).
3. Port-based VLAN, IEEE 802.1Q VLAN to ease network planning.
4. Support IEEE802.1p_QoS.
5. Support IGMP, Port Trunking and Port mirroring function.
6. Support WEB management, easy-to-use.
7. Design for industrial Level 4 standard.
8. IP 30 protection, rugged high-strength metal case.
9. DIN-Rail or panel mounting.



Introduction

IT-ES608-IM-4F is a type of WEB managed redundant Industrial Ethernet Switch, which support 4 10/100M Ethernet ports (RJ45), 4 100M fiber ports, double power supply input and 1 route repay output. It supports SW-Ring patented technology (self-recovery time <20ms) to enhance the reliability of the network. What's more,

IT-ES608-IM-4F supports several network managements, such as 802.1QVLAN, QoS, IGMP, port trunking and port mirroring. It has got the certification of CE, FCC and Industrial level 4 standard. It can meet the requirement of each type of industrial environment with the temperature range of -40 to 75°C.

Specifications

Technology

Standard: IEEE802.3、IEEE802.3u、IEEE802.3x、IEEE802.1Q
 IEEE802.1p、IEEE802.1D、IEEE802.1W
 Protocol: SW-Ring™、STP/RSTP、QoS、VLAN、PVLAN、
 IGMP v1/v2/v3、SNMP v1/v2/v3、Telnet
 Flow control: IEEE802.3x, backpressure control

Interfaces

Fiber port: 100Base-FX, SC/ST optional.
 Ethernet port: 10Base-T/100Base-TX, RJ45, auto flow control, full/half duplex mode and MDI/MDI-X auto-connection
 Console port: Based serial network management (RS-232), RJ45
 Alarm output interface: 1 relay alarm output, 2 terminal blocks
 Current carrying capability: 1A@30VDC
 Processing Type: Store and Forward
 System exchange bandwidth: 2.0G
 Cache: 1Mbits
 MAC address: 2K

Priority queue: 4
 VLAN No.: 256
 VLAN ID: 1~4094
 IGMP Groups: 256

Indicators

Run indicator: Run
 Interface indicator: Link1~8
 Power indicator: PWR1、PWR2
 Alarm indicator: Alarm

Transmission Distance

Double-twisted cable: 100M (standard CAT5/CAT5e cable)
 Multi-mode fiber: 850nm, 2Km; 1310nm, 5Km
 Single-mode fiber: 1310nm, 20Km; 1310nm, 40Km
 1310nm, 60Km; 1550nm, 80Km

Power Supply

Voltage input: 24VDC (12~48VDC)
 Terminal Blocks: 4 cores 7.62mm terminal blocks

No-load power: 5.0W@24VDC

Full load power: 6.1W@24VDC

Support redundant protection

Support reverse polarity protection

Support overload current protection

Environment

Operating Temperature: -40~75°C

Storage Temperature: -40~85°C

Relative Humidity: 10 to 95% (non-condensing)

Mechanical Structure

Shell: IP30 protection, metal case

Installation: DIN-rail mounting

Weight: 800g

Dimensions (W×H×D): 136 mm×52mm×105mm

Approvals

EMI: FCC Part 15, CISPR (EN55022) class A

EMS: EN61000-4-2 (ESD), Level 4

EN61000-4-3 (RS), Level 3

EN61000-4-4 (EFT), Level 4

EN61000-4-5 (Surge), Level 4

EN61000-4-6 (CS), Level 4

EN61000-4-8, Level 5

Shock: IEC60068-2-27

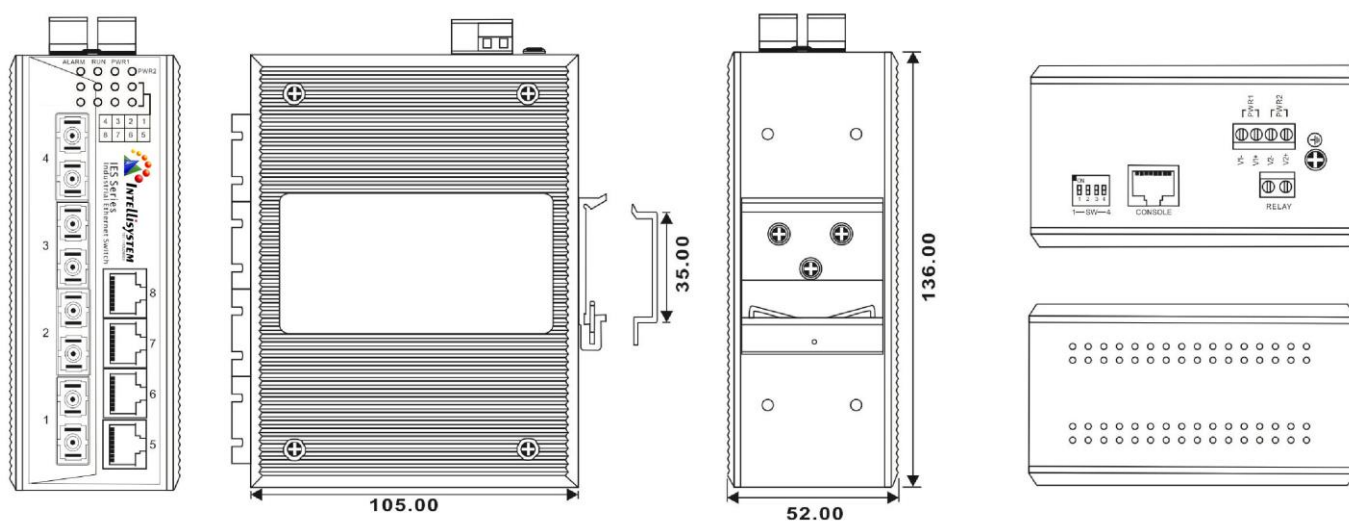
Free Fall: IEC 60068-2-32

Vibration: IEC60068-2-6

Warranty: 5 years

CE, FCC, RoHS, PAL, UL508

Dimensions



Ordering Informations

Model	Interfaces				Voltage Range
	100M TP port	100M Fiber port (SC/ST/FC)			
		Single mode	Single mode, single fiber	Multi-mode	
IT-ES608-IM-4F	4	4	—	—	12~48VDC Support redundant protection
IT-ES608-IM-4F	4	—	4	—	
IT-ES608-IM-4F	4	—	—	4	